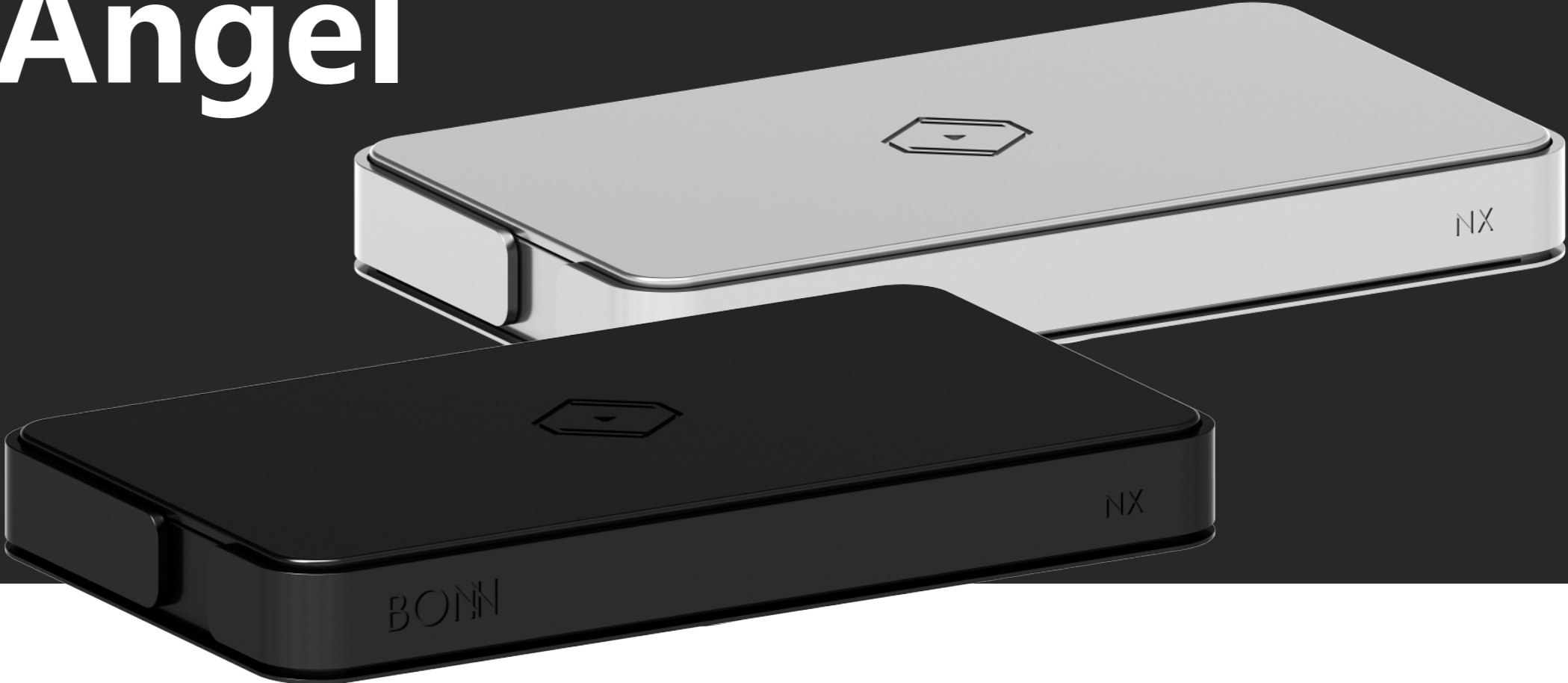
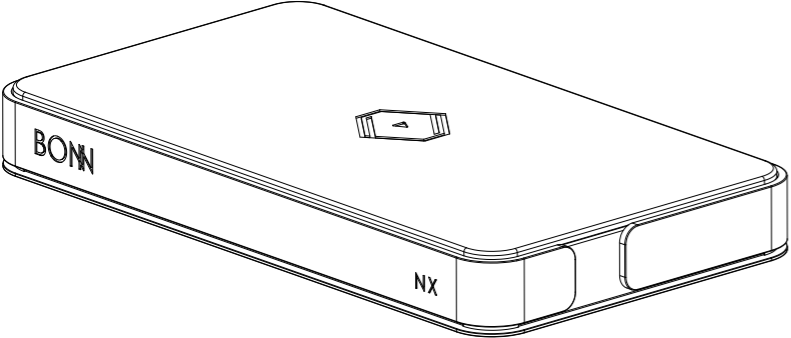


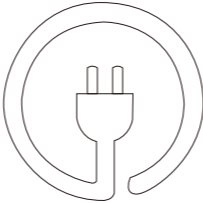
Silent Angel NX



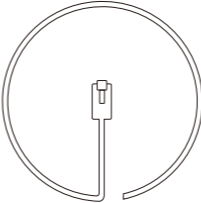
Package Contents



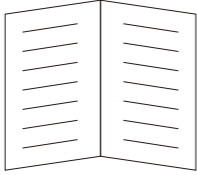
NX x 1



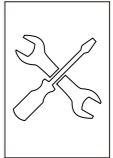
Power Cord x 1



Ethernet Cable x 1



Quick Start Guide x 1

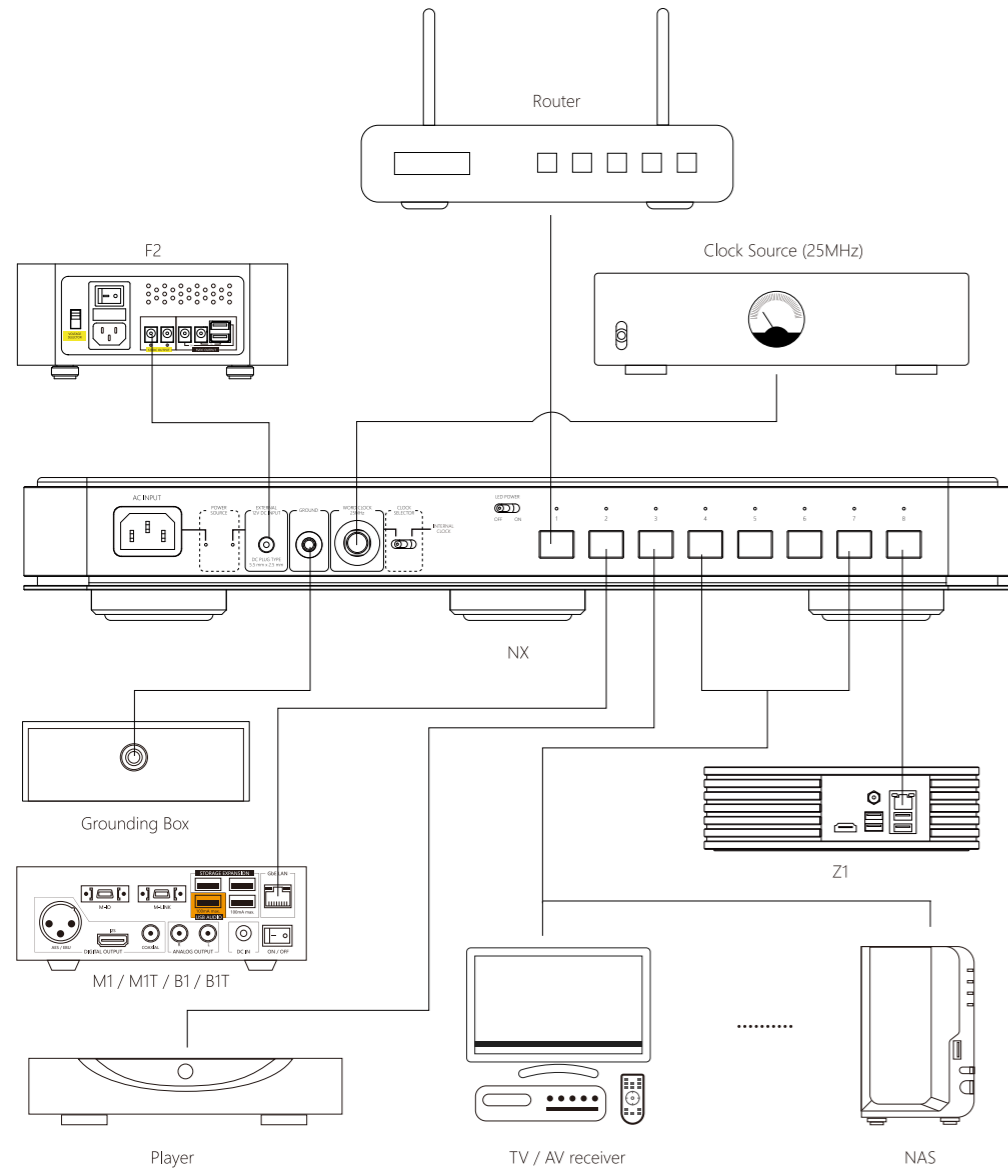


Warranty Card x 1

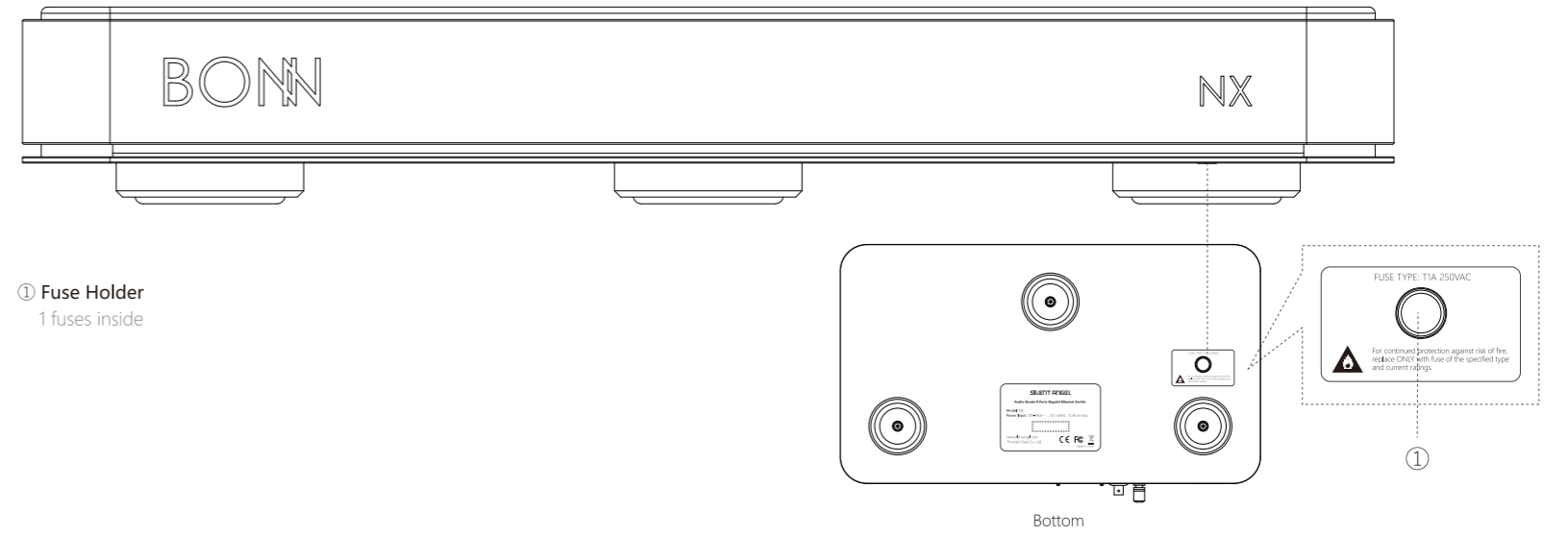
Product Features

- Satellite grade power module, which is stable and reduces interference to the switch circuit
- The seperated LAN ports can reduce the interference between each other, and can connect to thicker cable
- Pure gold-plated RJ-45 network connector
- Connect grounding port to the Hi-Fi grounding box to reduce small interference at ground signal
- Featured LED indicator switch
- BNC external clock input is suitable for your existing clock system

Connection Diagram

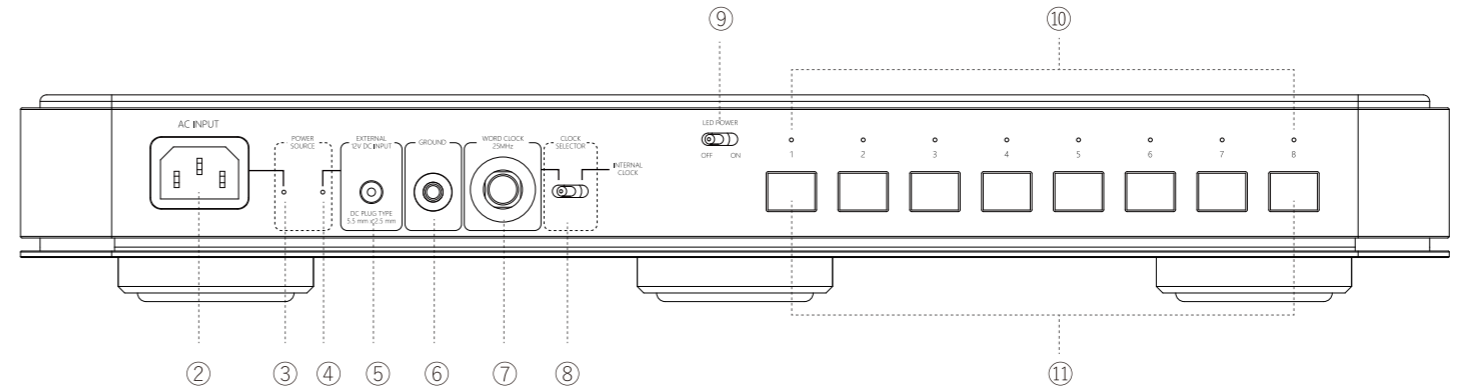


Front Panel



- Fuse Holder**
1 fuses inside

Rear Panel



- AC Input**
AC power input

- AC Power Indicator**
When AC power is connected and power switch is on, it shows Green Light.
When no AC power or power switch is off, it shows no light.

- DC Power Indicator**
When DC power is connected, it shows Green Light.
When no DC power, it shows no light.

- DC Input**
5.5mm x 2.5mm DC 12V power input (can be connected to Silent Angel F2 or suitable 12VDC linear power supply)

* When both DC and AC power are connected, the DC power input will be used and the DC power indicator lights up

- Grounding Port**
Connect to grounding box

- Clock Input**
25MHz clock input port (BNC connector, 50 ohms impedance)

- Clock Selector**
To use external clock, slides to the side of Word Clock and power cycle
To use internal clock, slides to the side of Internal Clock and power cycle

- LAN Port Indicator Switch**
Switch 8 LAN port status indicators on or off

- LAN Port Status Indicator**
Lights up when network is connected. Flashes when transmitting or receiving data.
When 1-8 network port link up at 1000Mbps and the LAN port indicator switch is on, it shows Green Light.
When 1-8 network port link up at 100Mbps and the LAN port indicator switch is on, it shows Amber Light.

- Gigabit Ethernet Port 1-8**
Support 1000Mbps (1000BASE-T) and 100Mbps (100BASE-T)